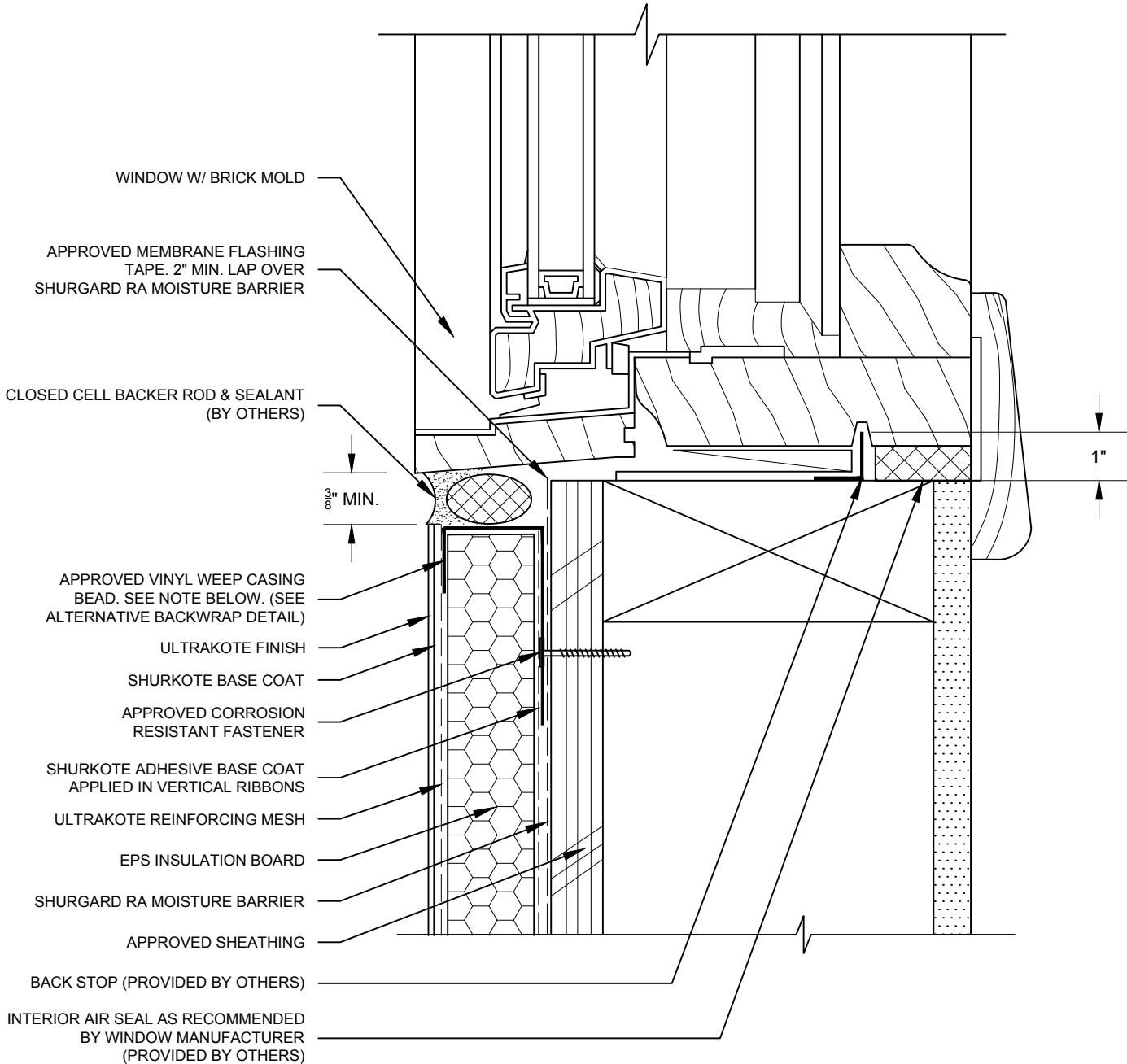


TYPICAL WINDOW SILL - BRICK MOLD



NOTE: MAINTAIN $\frac{1}{8}$ " SPACE BETWEEN BEVELED INSULATION AND WEEP CASING BEAD.